

**SINCE 1922,
PRECISION MADE GREAT**

TASSALINI



DATA SHEET

MANUAL BUTTERFLY VALVE TC-TC DN 150 - 6"



TASSALINI S.P.A.

Via G. Di Vittorio 19/21 | 20068 Peschiera Borromeo (MI) | Italy

t + 39 02 55 38 311 | f + 39 02 54 73 441 | info@tassalini.it | www.tassalini.com

**SINCE 1922,
PRECISION MADE GREAT**

TASSALINI



DATA SHEET

Application

Butterfly valves are universal and economical on/off routing valves used for isolation and control in food processing pipelines.

Features

They are sanitary valves that offer low flow resistance and reversible flow direction providing gentle treatment of product.

Valve maintenance is easy, and valves have long service life.

Valves can be operated manually or pneumatically.

Manual valves are available with a heavy duty 2 positions stainless steel handles.

Pneumatic valves are available with horizontal actuator double effect.

Technical Data

Max. product pressure: 500 kPa (5 bar);

Recommended working pressure: 450 kPa (4,5 bar).

Available seal: silicone (VMQ) – epdm – fpm/fkm

Temperature: vmq -50°C +200°C (-60°F +390°F);

 epdm -30°C +140°C (-20°F +280°F);

 fpm/fkm -15°C +220°C (+05°F +430°F);

Connections: TC ends

Standards: DIN – BS 4825

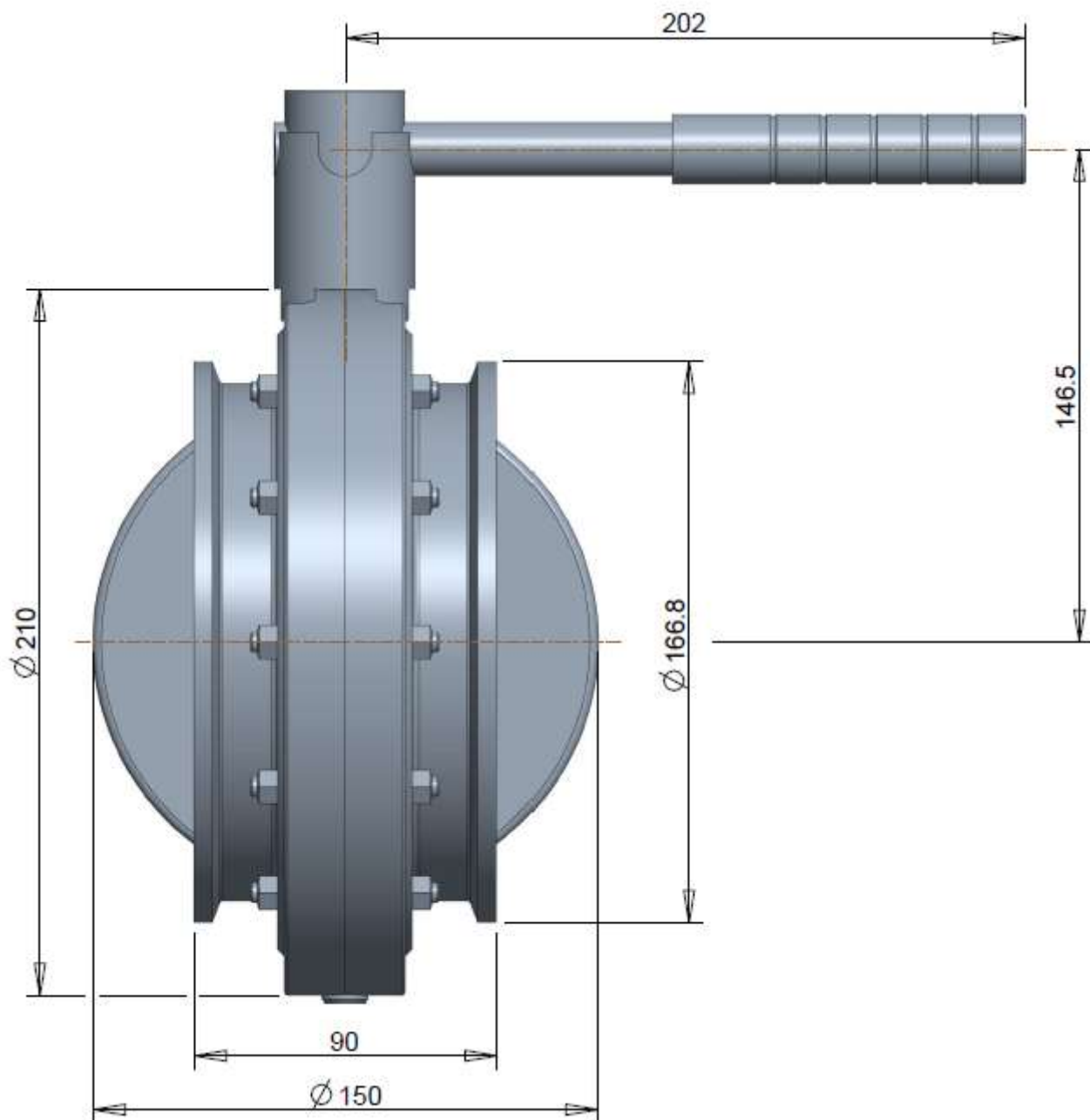
Torque rate

50 Nm

SINCE 1922,
PRECISION MADE GREAT

TASSALINI 

DATA SHEET



TASSALINI S.P.A.

Via G. Di Vittorio 19/21 | 20068 Peschiera Borromeo (MI) | Italy

t + 39 02 55 38 311 | f + 39 02 54 73 441 | info@tassalini.it | www.tassalini.com