

BALL VALVES



Application

They are universal on/off routing valves used for isolation and control in food processing pipelines.

Ball valves are full bore and therefore allow complete flow of product.

Features

Valve maintenance is easy and valves have long service life.

Ball valves models 50 and 51 are suitable for CIP and have a side entry for flushing and a bottom outlet for drainage. Product can be flushed out both when valves are in a closed or open position. In the valve model 50 the ball is fully encapsulated in two PTFE seats.

Ball valve model 71 is a light, compact and economical valve.

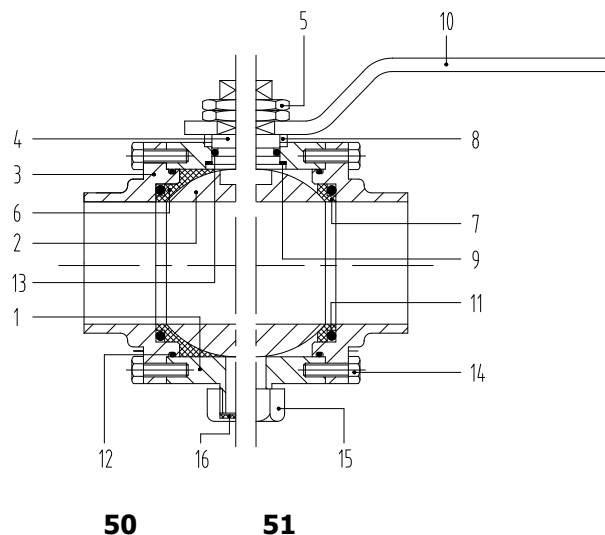
Ball valve model 81 is a light, compact and economical valve with one of the flanges and the body fully machined as a single piece.

Ball valves models 90 and 91 are suitable for CIP and disassemblable on-line for servicing. The valve model 90 has the added advantage of being fully sanitary as the ball is completely encapsulated in two PTFE seats.

Ball valves can be operated manually or pneumatically. Pneumatic valves are available with a full range of accessories, including horizontal and vertical single- and double-acting actuators, control tops and electrical components.

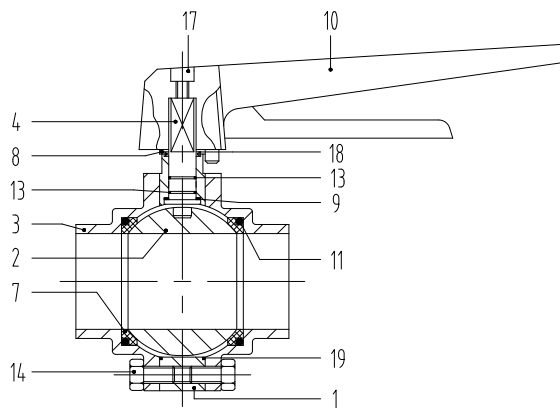
Components

Ball valves models 50 and 51:



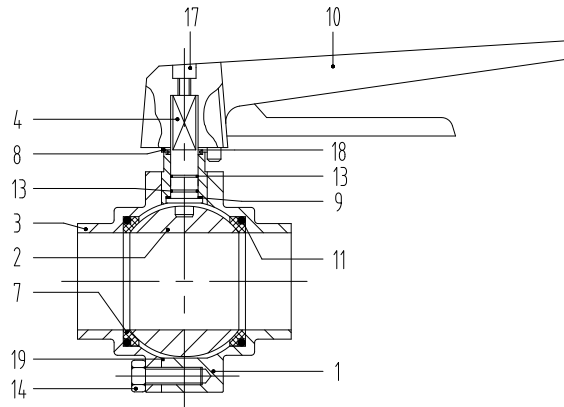
PARTS LIST		
1	Valve body	Aisi 316L
2	Ball	Aisi 316L
3	Flange	Aisi 316L
4	Spindle	Aisi 316L
5	Hexagonal nut	Aisi 304L
6	Sanitary gasket	PTFE
7	Gasket	PTFE
8	Spacer	Aisi 304L
9	Washer	PTFE
10	Handle	Aisi 304L
11	OR seal ring	NBR
12	OR seal ring	NBR
13	OR seal ring	NBR
14	Hexagonal screw	Aisi 304L
15	Hexagonal nut	Aisi 304L
16	Pin	PTFE

Ball valve model 71:



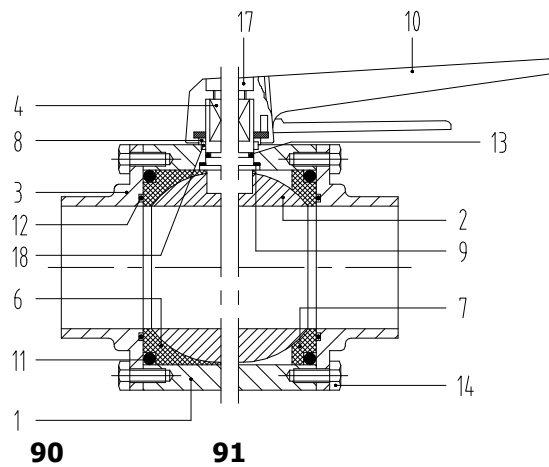
PARTS LIST		
1	Valve body	Aisi 316L
2	Ball	Aisi 316L
3	Flange	Aisi 316L
4	Spindle	Aisi 304L
7	Gasket	PTFE
8	Spacer	Aisi 304L
9	Washer	PTFE
10	Handle	ABS
11	OR seal ring	NBR
13	OR seal ring	NBR
14	Hexagonal screw	Aisi 304L
17	Allen screw	Aisi 304L
18	Washer	PTFE
19	Ring	PTFE

Ball valve model 81:



PARTS LIST		
1	Valve body	Aisi 316L
2	Ball	Aisi 316L
3	Flange	Aisi 316L
4	Spindle	Aisi 304L
7	Gasket	PTFE
8	Spacer	Aisi 304L
9	Washer	PTFE
10	Handle	ABS
11	OR seal ring	NBR
13	OR seal ring	NBR
14	Hexagonal screw	Aisi 304L
17	Allen screw	Aisi 304L
18	Washer	PTFE
19	Ring	PTFE

Ball valves models 90 and 91:



PARTS LIST		
1	Valve body	Aisi 316L
2	Ball	Aisi 316L
3	Flange	Aisi 316L
4	Spindle	Aisi 304L
6	Sanitary gasket	PTFE
7	Gasket	PTFE
8	Spacer	Aisi 304L
9	Washer	PTFE
10	Handle	ABS
11	OR seal ring	NBR
12	OR seal ring	NBR
13	OR seal ring	NBR
14	Hexagonal screw	Aisi 304L
17	Allen screw	Aisi 304L
18	Washer	Nylon

Technical Data

Max. product pressure:

- models 50 and 51: 1500 kPa (15 bar);
- models 71, 81, 90 and 91: max 1000 kPa (10 bar).

Recommended working pressure: max 600 kPa (6 bar).

General temperature range: -10°C +50°C (+15°F +120°F).

PTFE seals temperature range: -10°C +150°C (+15°F +300°F).

Finish: 150 grit (max R_a 0.76–0.89 μm , 30–35 $\mu\text{''}$).

Production range: from 1/2" to 4", from DN 25 to DN 100.

Connections: welding end, threaded end, flange, ferrule end.

Standards: DIN, SMS, RJT BS, IDF ISS, BSP, Eno, Macon, Clamp.

Steel grades: Aisi 304L, Aisi 316L.

For further technical information, section and dimensional drawings and range of models available please refer to our series of product brochures, technical catalogues and valve manuals.